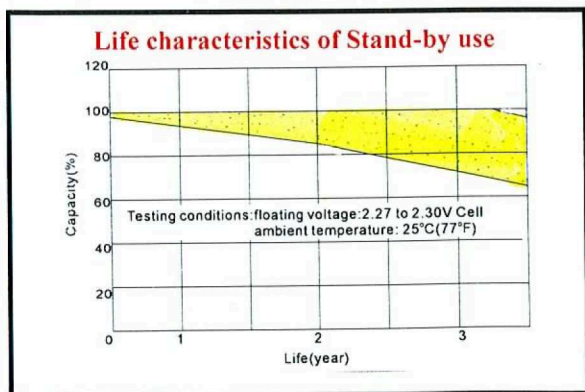
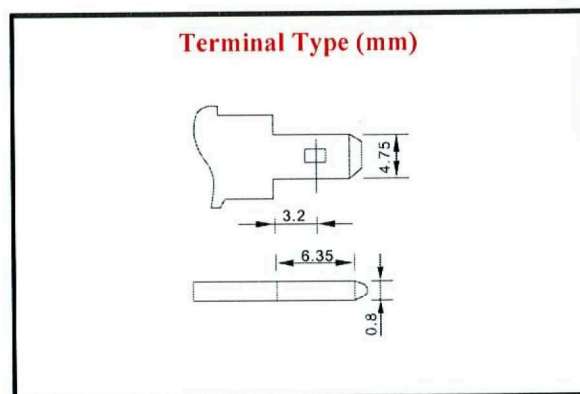
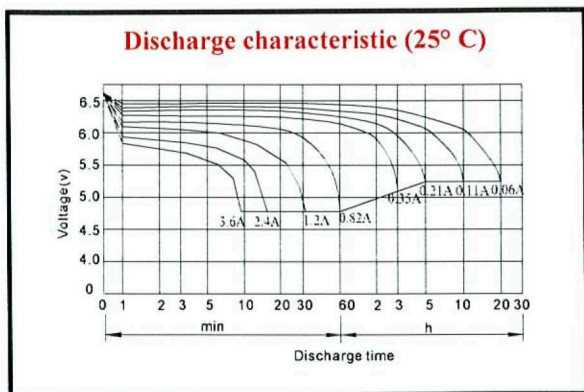
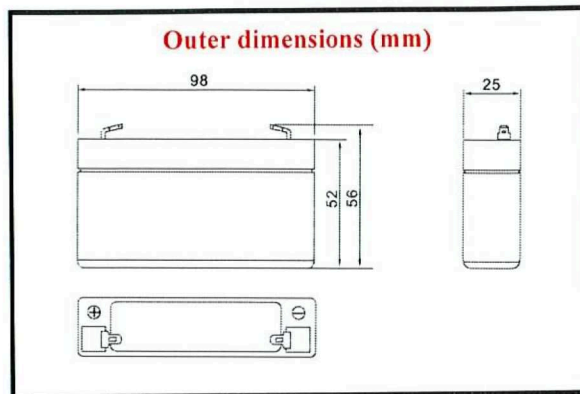
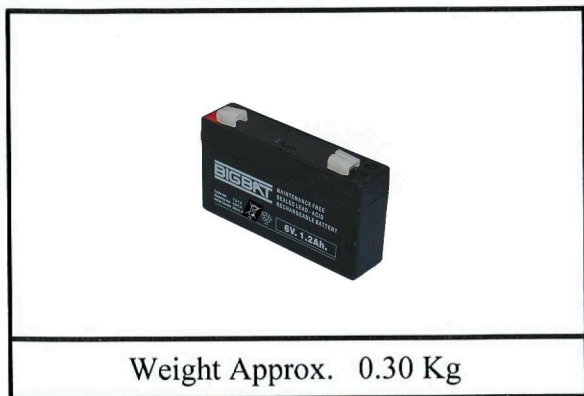


# BIGBAT

## 6V. 1.2 Ah.



**Characteristics**

Capacity 25° C (77° F)	20 hour rate (0.06 A) 10 hour rate (0.11 A) 5 hour rate (0.21 A) 1 hour rate (0.82 A)	1.20 AH 1.10 AH 1.05 AH 0.82 AH
	1.5 hour discharge to 5.25V	0.50 A
Internal Resistance	Full charged battery at 25° C (77° F)	37 m Ω
Capacity effected by temperature (20 hour rate)	40° C (104° F)	102 %
	25° C (77° F)	100 %
	0° C (32° F)	85 %
	-15° C (5° F)	65 %
Self-discharge at 25° C (77° F)	Capacity after 3 month storage	91 %
	Capacity after 6 month storage	82 %
	Capacity after 12 month storage	64 %
Charge (constant voltage)	Cycle	Initial charging current less than 0.40 A Voltage 7.30 – 7.50V.
	Float	Voltage 6.90 – 7.00V.

